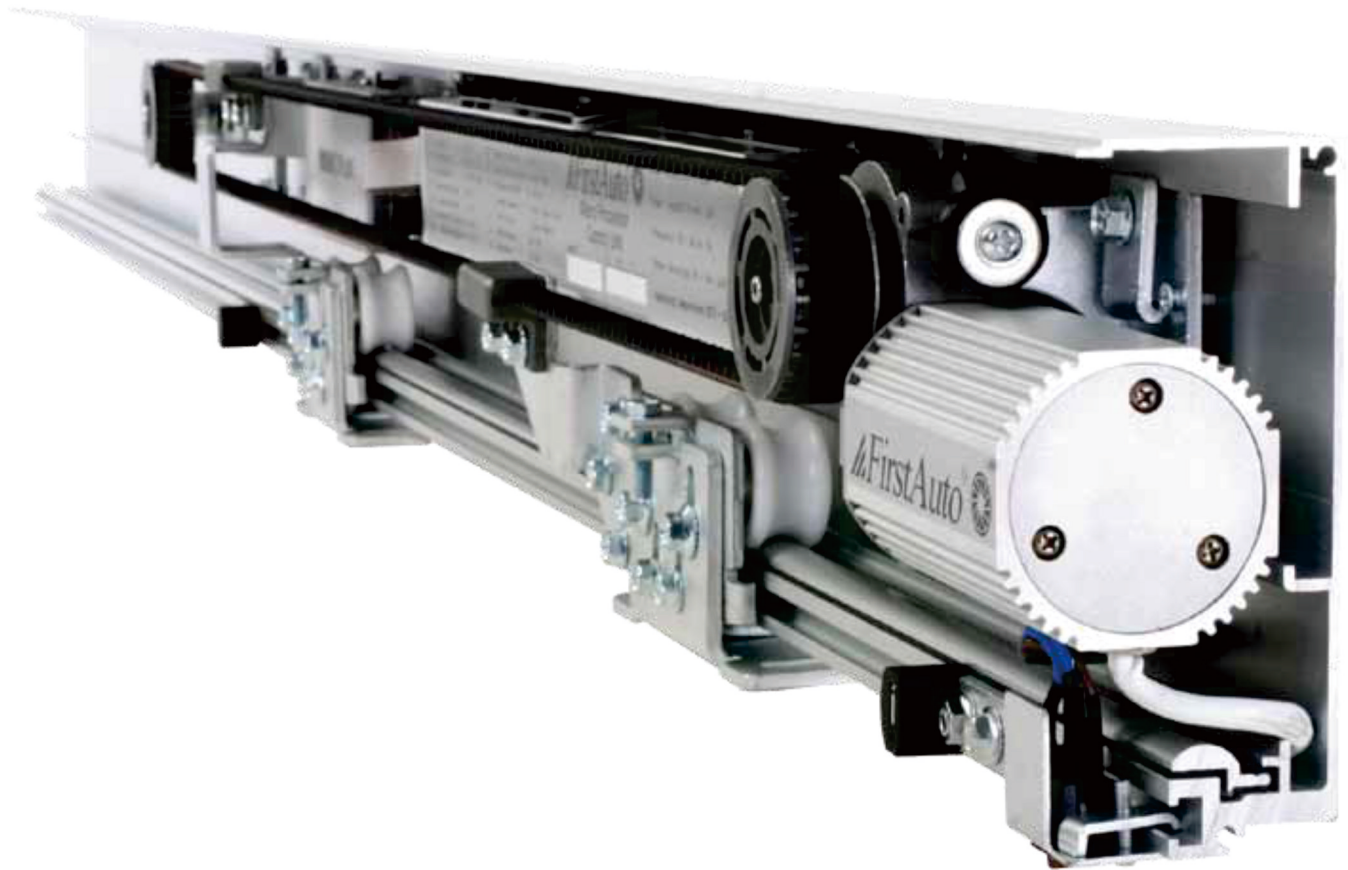
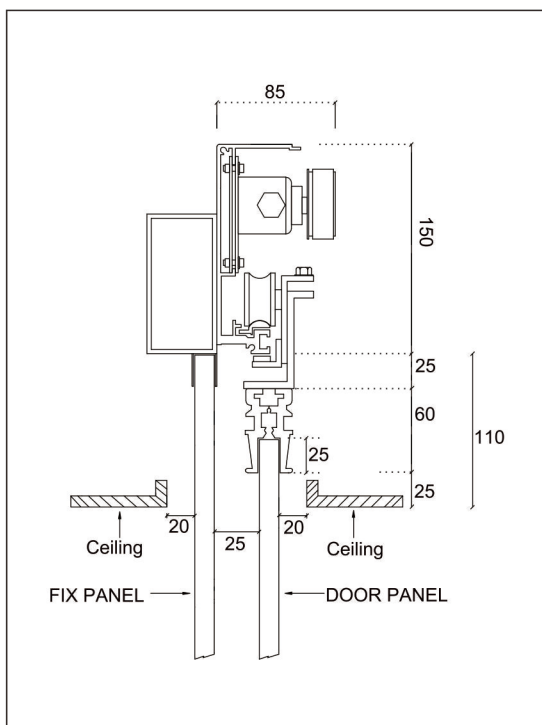


JD150-Surface Automatic Sliding Door Operator



Installation dimensions



Technical Data

	Single-Leaf	Double-Leaf
Door Weight	<=150 kgs	<=260 kgs
Opening Speed (Variable)	Up to 0.5m/s	Up to 1.0 m/s
Closing Speed (Variable)	Up to 0.5m/s	Up to 1.0 m/s
Creeping Speed (Variable)	30~100 mm/s	60~200 mm/s
Entrance Width	600~1500 mm	1200~3000 mm
Entrance Height	Up to approx : 3.0M	
Power Voltage	AC 110v-260v 50/60Hz	
Driving System	60w Brushless DC24v motor	
Hold-Open Time	0~9 seconds	
Manual Opening/ Closing Force	Less than 3kgf	
Ambient Temperature	-25 c ~ +50 c	