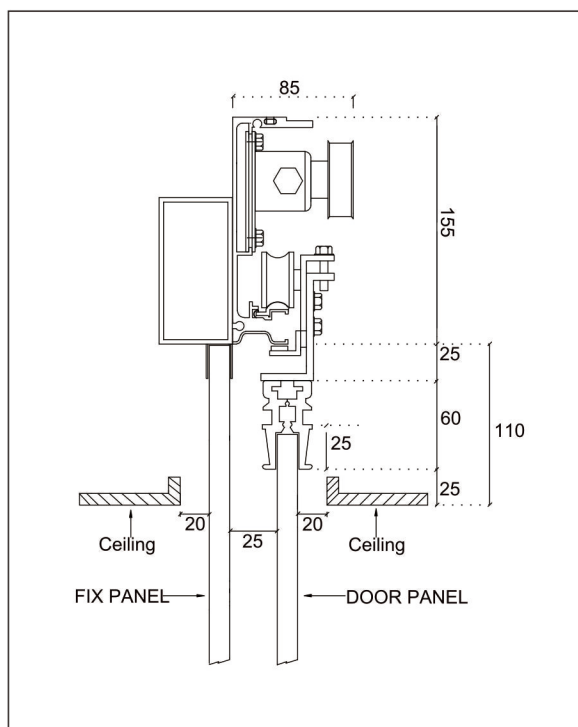


JD350-Heavy Duty Automatic Sliding Door Operator



Installation dimensions



Technical Data

	Single-Leaf	Double-Leaf
Door Weight	<=250 kgs	<=450 kgs
Opening Speed (Variable)	Up to 0.5m/s	Up to 1.0 m/s
Closing Speed (Variable)	Up to 0.5m/s	Up to 1.0 m/s
Creeping Speed (Variable)	30~100 mm/s	60~200 mm/s
Entrance Width	800~2000 mm	1600~4000 mm
Entrance Height	Up to approx : 3500 mm	
Power Voltage	AC 110v-260v 50/60Hz	
Driving System	80w Brushless DC24v motor	
Hold-Open Time	0~9 seconds	
Manual Opening/ Closing Force	Less than 5kgf	
Ambient Temperature	-25 c ~ +50 c	